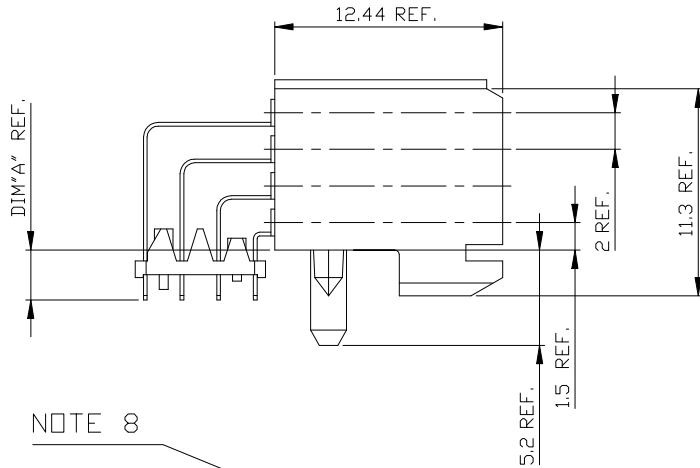
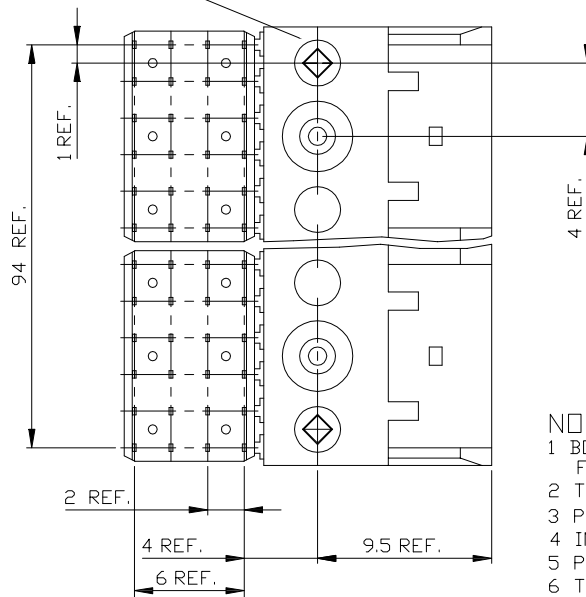


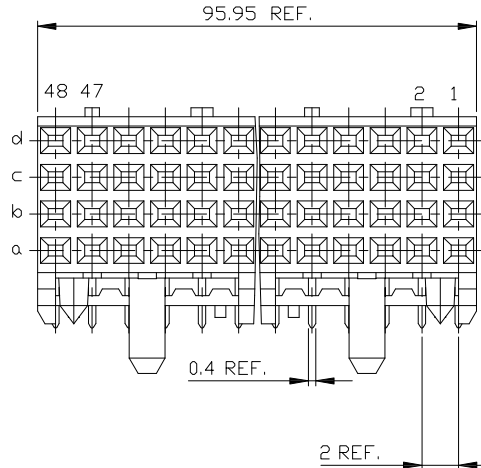
PC BOARD VERSIONS		
PRODUCTNR:	PCB THICKNESS	DIM"A"
70230-X01/X01LF	1.6	2.90
70230-X11/X11LF	2.4	3.53



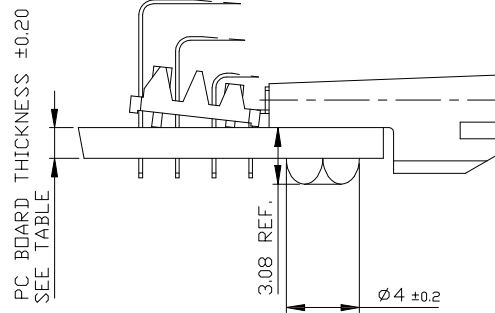
NOTE 8



PLATING CONTACT AREA:	
DASH NR:	PERFORMANCE LEVEL:
-1YY/1YYLF	TELCORDIA CD
-2YY/2YYLF	CUSTOMER SPECIAL
-3YY/3YYLF	CUSTOMER SPECIAL
-9YY/9YYLF	TELCORDIA CD

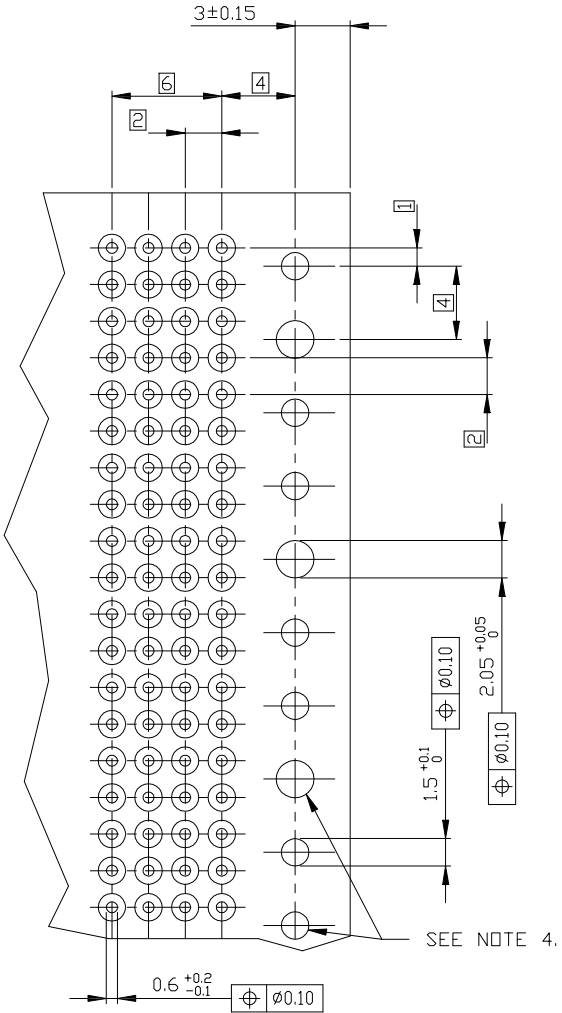


PRODUCT AFTER HOT RIVETTING.



NOTES:

- 1 BODY MAT'L: LIQUID CRYSTAL POLYMER 30% GLASS  
FLAME RETARDANT ACC. UL 94-V0
- 2 TERMINAL MATERIAL: PHOSPHOR BRONZE.
- 3 PLATING SOLDER TAILS 2-8 um SnPb 90-97 OR 2-8 um PURE Sn
- 4 INDICATED HOLES ARE UNPLATED.
- 5 PRODUCT MARKING: PART NUMBER & BATCH ID.
- 6 THIS PRODUCT MEETS EUROPEAN UNION DIRECTIVES AND OTHER COUNTRY REGULATIONS AS DESCRIBED IN GS-22-008.
- 7 THE HOUSING WILL WITHSTAND EXPOSURE TO 260 DEGREE PEAK TEMPERATURE FOR 10 SECONDS IN A WAVE SOLDER APPLICATION.
- 8 DIAMOND LOCATION PEG ARE ONLY EXISTED ON THE BOTH SIDES OF PRODUCT.

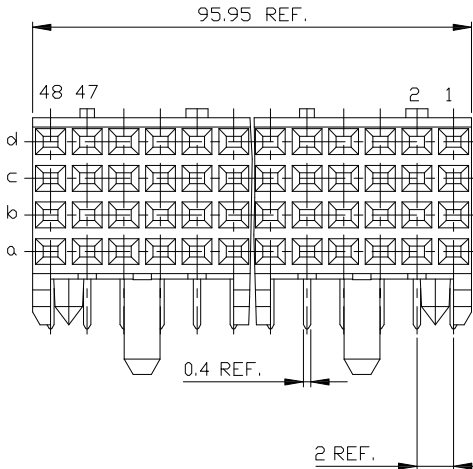
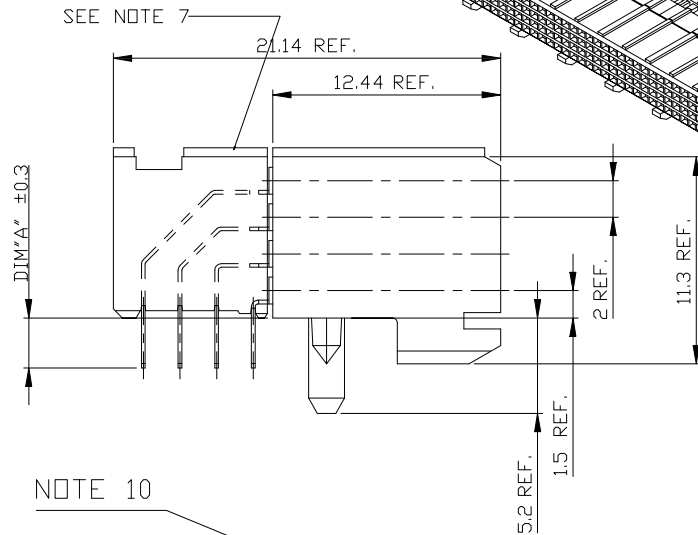
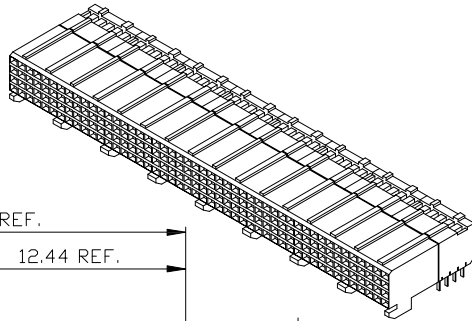


RECOMMENDED HOLE PATTERN, COMPONENT SIDE.

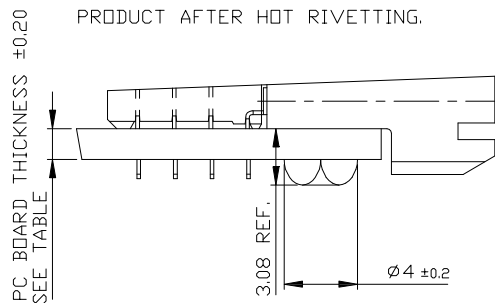
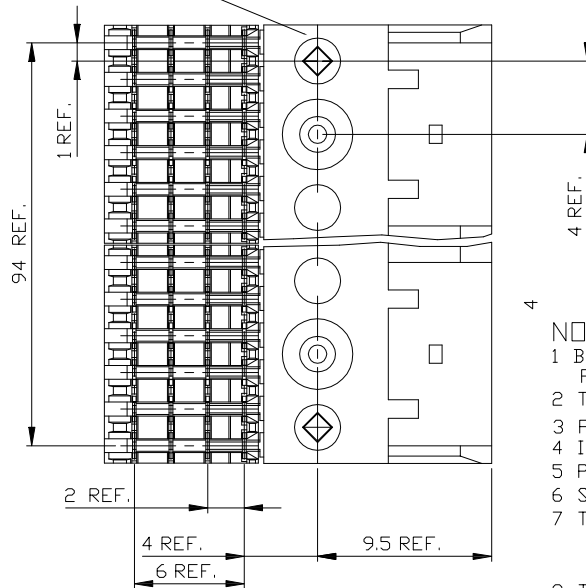
mat'l. code		tolerances unless otherwise specified		CUSTOMER CD PY		FCI	
ltr	ecn	nodr	date	linear	projection	title	www.ficonnection
K	DG04-004	Clu	041221			RA FEMALE SIGNAL	
L	DG06-0477	Cenh	11/20/060			STB 96 mm VERSION	
M	DG07-0168	Cenh	05/10/07	angles			
G	V70769	DDR	970602	dir	R.Trippe	900918	product family METRAL(tm)
H	V00578	LLA	000316	engr	nl. Bouwknegt	940308	code 213
J	V00847	LLA	000530	chr	A van Zanten	900918	sheet 1 of 3
sheet	revision	M	M	app	van Voensel	900918	
index	sheet	1	2				

All rights strictly reserved. Reproduction or issue in third parties in any form without written authority from the proprietor. Property of F.C.I. S.A. © F.C.I. S.A.

PC BOARD VERSIONS		
PRODUCTNR:	PCB THICKNESS	DIM"A"
70230-X02/X02LF	1.6	2.90
70230-X12/X12LF	2.4	3.53

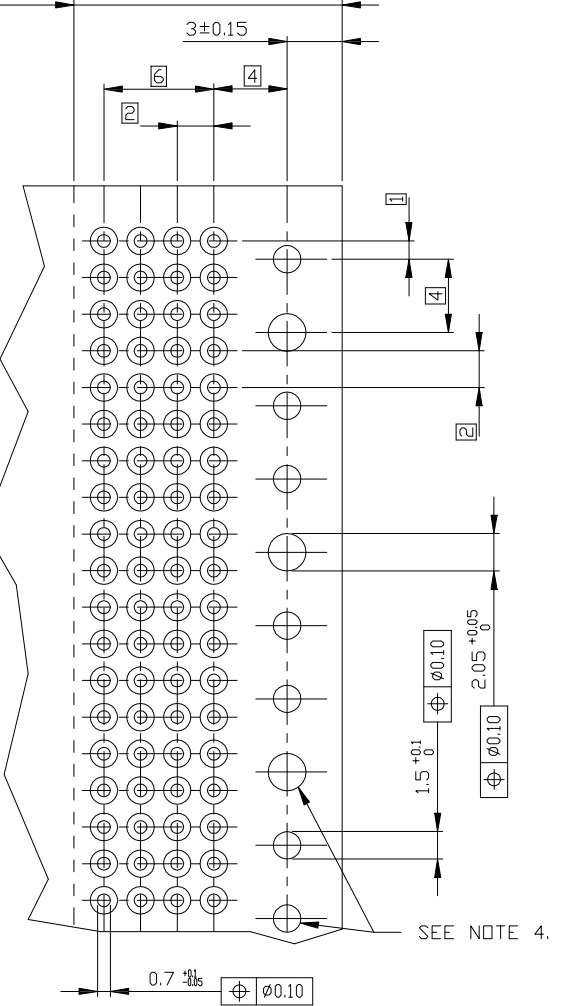


NOTE 10



PRODUCT AFTER HOT RIVETTING.

14.64 REF. SEE NOTE 6



RECOMMENDED HOLE PATTERN, COMPONENT SIDE.

NOTES:

- 1 BODY MAT'L: LIQUID CRYSTAL POLYMER 30% GLASS  
FLAME RETARDANT ACC. UL 94-V0
- 2 TERMINAL MATERIAL: PHOSPHOR BRONZE.
- 3 PLATING SOLDER TAILS 2-8 鍍 SnPb 90-97 OR 2-8 鍍 PURE Sn
- 4 INDICATED HOLES ARE UNPLATED.
- 5 PRODUCT MARKING: PARTNUMBER & BATCH ID.
- 6 SET BACK FOR PRESS BLOCK.
- 7 TOP SURFACE OF PRESS BLOCK MAY EXTEND UP TO 0.4MM HIGHER THAN HOUSING. THIS MAY AFFECT THE TAIL LENGTH BEFORE APPLICATION TO A BOARD
- 8 THIS PRODUCT MEETS EUROPEAN UNION DIRECTIVES AND OTHER COUNTRY REGULATIONS AS DESCRIBED IN GS-22-008 .
- 9 THE HOUSING WILL WITHSTAND EXPOSURE TO 260DEGREE PEAK TEMPERATURE FOR 10 SECONDS IN A WAVE SOLDER APPLICATION.
- 10 DIAMOND LOCATION PEG ARE ONLY EXISTED ON THE BOTH SIDES OF PRODUCT.

PLATING CONTACT AREA:

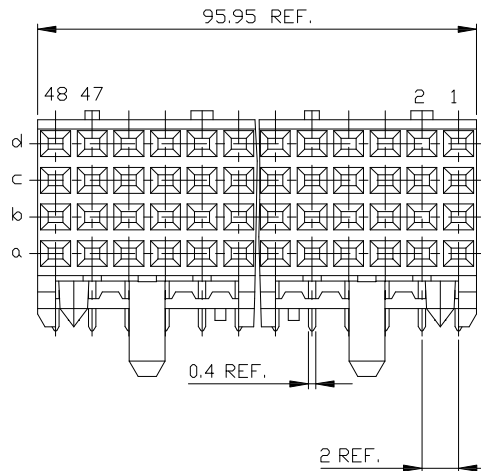
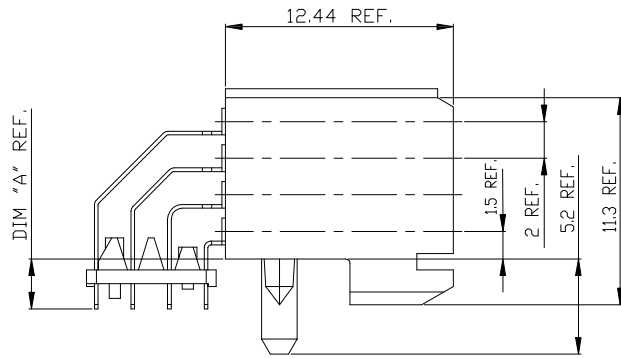
DASH NR:	PERFORMANCE LEVEL:
-1YY/1YYLF	TELCORDIA CD
-2YY/2YYLF	CUSTOMER SPECIAL
-3YY/3YYLF	CUSTOMER SPECIAL
-9YY/9YYLF	TELCORDIA CD

mat'l. code		tolerances unless otherwise specified		CUSTOMER COPY		 www.fciconnection.com	
l	tr	ec	n	no	dr	date	
M					linear		projection
					angles		
					dir	D. de Bil	970529
					engr	P. Schalk	970529
					chr	P. Schalk	970529
					app	H. Cooljans	970529
sheet	revision				mm	product family	METRAL(tn)
index	sheet				scale	size	dwg no
					5:1	A2	70230
							code
							213
							sheet
							2 of -

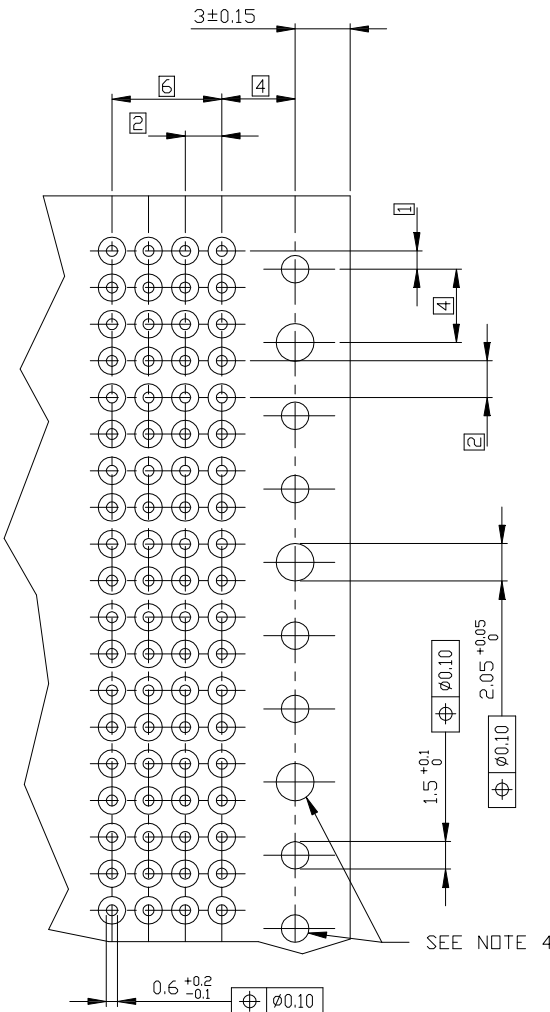
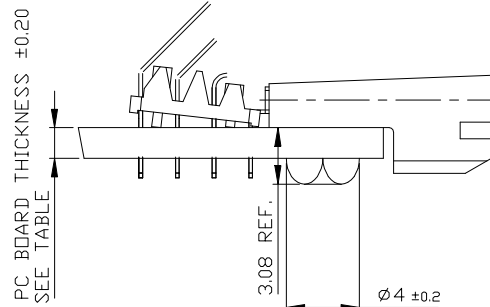
All rights strictly reserved. Reproduction or issue in any form without written authority from the proprietor. Property of F.C.I. nv. © F.C.I. nv.



PC BOARD VERSIONS		
PRODUCTNR:	PCB THICKNESS	DIM"A"
70230-X03/X03LF	1.6	2.90
70230-X13/X13LF	2.4	3.53

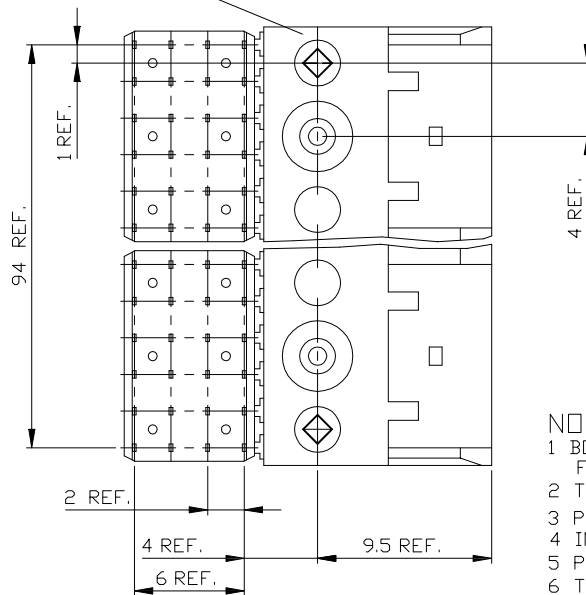


PRODUCT AFTER HOT RIVETTING.



RECOMMENDED HOLE PATTERN, COMPONENT SIDE.

NOTE 11



PLATING CONTACT AREA:

DASH NR:	PERFORMANCE LEVEL:
-1YY/1YYLF	TELCORDIA CD
-2YY/2YYLF	CUSTOMER SPECIAL
-3YY/3YYLF	CUSTOMER SPECIAL
-9YY/9YYLF	TELCORDIA CD

NOTES:

- BODY MAT'L: LIQUID CRYSTAL POLYMER 30% GLASS FLAME RETARDANT ACC. UL 94-V0
- TERMINAL MATERIAL: PHOSPHOR BRONZE.
- PLATING SOLDER TAILS 2-8 鍍 SnPb 90-97 OR 2-8 鍍 PURE Sn
- INDICATED HOLES ARE UNPLATED.
- PRODUCT MARKING: PART NUMBER & BATCH ID.
- THIS PRODUCT MEETS EUROPEAN UNION DIRECTIVES AND OTHER COUNTRY REGULATIONS AS DESCRIBED IN GS-22-008.
- THE HOUSING WILL WITHSTAND EXPOSURE TO 260 DEGREE PEAK TEMPERATURE FOR 10 SECONDS IN A WAVE SOLDER APPLICATION.
- DIAMOND LOCATION PEG ARE ONLY EXISTED ON THE BOTH SIDES OF PRODUCT.

mat'l. code		tolerances unless otherwise specified		CUSTOMER COPY		FCI	
ltr	ecn	nodr	date	linear	projection	title	www.ficnconnection
					1st angle	RA FEMALE SIGNAL STB 96 mm VERSION	
				dir	Heaven Cen	11/20/06	product family
				engr	Collins Lu	11/20/06	METRAL(tm)
				chr	Ber Fu	11/20/06	code
				app	Joseph Hsia	11/20/06	213
sheet	revision			scale	5:1	70230	sheet
index	sheet						3 of

All rights strictly reserved. Reproduction or issue in any form without written authority from the proprietor. Property of F.C.I. Inc. © F.C.I. Inc.

